



DESIGNER

COLLECTION





Making a difference in our local communities

T GETHER.

A portion of every 33Brands purchase is donated to our community Foodbanks, local children's charities, and neighborhood Habitat for Humanity ReStores through in-kind donations.

Learn more at craft33products.com/giving-back/





DESIGNER

COLLECTION



With the highest quality materials and finest attention to detail, our Designer Collection offers distinctive touches and superb craftsmanship. Whether you love traditional or modern design, the Designer Collection has a look to fit your lifestyle. Features include full overlay doors, plywood boxes, a solid wood dovetail drawer box, as well as a five-piece drawer head and soft close doors and drawers.

CONTENTS

12	Styles	29	Vanity Cabinets
14	Product Comparison	31	Moldings & Trim
15	Wall Cabinets	32	Fillers & Panels
19	Wood Hoods	33	Decorative Accessories
22	Base Cabinets	34	Attachments & Inserts
26	Tall Cabinets	36	Warranty
28	Universal Design	38	Notes





Oaklen Praline



Berkley Slate



Berkley Modern Gray



Oaklen White



Shelby Sand



Berkley Midnight



NEW! Oaklen Walnut



SHELBY



DESIGNER WHITE SAND KODIAK MOSS



BERKLEY



MODERN GRAY BRIGHT WHITE SLATE MIDNIGHT FAWN



OAKLEN



PRALINE WHITE WALNUT **NEW!**

Door swatches are provided in this catalog to give the most accurate color representation possible, but are not guaranteed to be an exact color match of the actual cabinet finish. Before ordering your cabinets, we strongly recommend contacting Craft33 for a door sample or color chip to view the actual color.

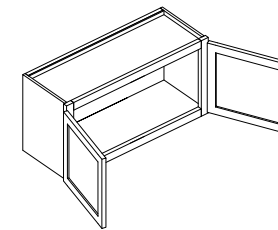
Cabinet Style	Shelby					Berkley					Oaklen	
	Designer White	Sand	Espresso	Kodiak	Moss	Modern Gray	Bright White	Midnight	Slate	Fawn	Praline	White
Cabinet Box	1/2", 7 Ply, plywood											
Drawer Box	5/8" Solid wood, dovetailed											
Drawer Slides	Undermount, full extension, metal, soft close with ball bearings											
Wood Type	Birch											
Door Hinge	DTC 6 way adjustable, soft close											
Shelves	Adjustable, 3/4" plywood with metal pins											
Finish	Designer White	Sand	Espresso stain	Kodiak stain	Moss	Modern Gray	Bright White	Midnight	Slate stain	Fawn stain	Praline	White
Exterior Finish	Designer White to match doors	Sand to match doors	Espresso to match doors	Kodiak to match doors	Moss to match doors	Modern Gray to match doors	Bright White to match doors	Midnight to match doors	Slate to match doors	Fawn to match doors	Praline to match doors	White to match doors
Interior Finish	Natural											
Base Corner Support	3" Plywood stretchers											
Face Frame	1-1/2" Rails & stiles, solid wood											
Full Overlay Door	5-Piece; MDF center panel; 2-3/4" stiles & rails	5-Piece; MDF veneered center panel; 2-3/4" stiles & rails	5-Piece; MDF center panel; 2-3/4" stiles & rails	5-Piece; MDF center panel; 3" stiles & rails	5-Piece; MDF veneered center panel; 3" stiles & rails	5-Piece; MDF veneered center panel; 3" stiles & rails	5-Piece; MDF veneered center panel; 3/4" stiles & rails					
Drawer Head	5-Piece; MDF center panel; 2-3/4" stiles & 1-7/8" rails	5-Piece; MDF veneered center panel; 2-3/4" stiles & 1-7/8" rails	5-Piece; MDF center panel; 2-3/4" stiles & 1-7/8" rails	5-Piece; MDF center panel; 3" stiles & 2" rails	5-Piece; MDF veneered center panel; 3" stiles & 2" rails	5-Piece; MDF veneered center panel; 3" stiles & 2" rails	5-Piece; MDF veneered center panel; 3/4" stiles & rails					
Design & Structure	Meets leading industry standards											
Assembly	Glue, staples & pocket screws, no cams or brackets											
Toe Kick Depth with TK Skin	3.75"											
Certifications	CARB, TSCA VI											

Wall Cabinet Nomenclature



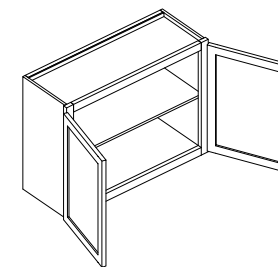
- Notes:
- Standard wall cabinets are 12" D. Refrigerator cabinets are 24" D.
 - Add door thickness for total cabinet depth.
 - All wall cabinets can be modified to include a finished interior to match exterior.
 - Any wall cabinet door can be pre-routed to receive glass. Glass not included.

12" - 21" High Wall Double Door



Model	Outer Size		
	W	H	D
W3012	30	12	12
W3312	33	12	12
W3612	36	12	12
W3015	30	15	12
W3315	33	15	12
W3615	36	15	12
W3018	30	18	12
W3318	33	18	12
W3618	36	18	12
W3021	30	21	12

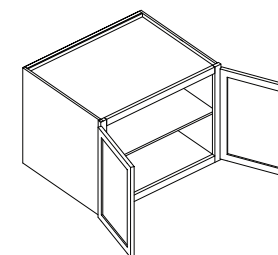
24" High Wall Double Door



Model	Outer Size		
	W	H	D
W3024	30	24	12
W3324	33	24	12
W3624	36	24	12

- Includes 1 adjustable shelf

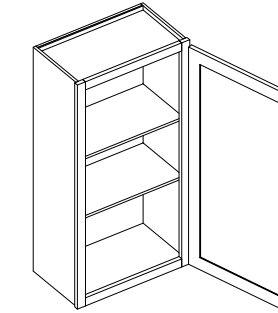
Wall Refrigerator Cabinet



Model	Outer Size		
	W	H	D
W331824	33	18	24
W361824	36	18	24
W332424	33	24	24
W362424	36	24	24

- Includes 1 adjustable shelf

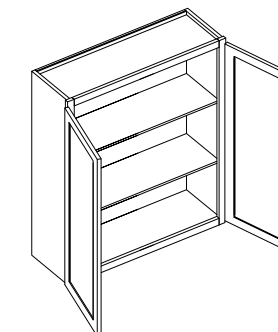
30" - 36" High Wall Single Door



Model	Outer Size		
	W	H	D
W930	9	30	12
W1230	12	30	12
W1530	15	30	12
W1830	18	30	12
W2130	21	30	12
W936	9	36	12
W1236	12	36	12
W1536	15	36	12
W1836	18	36	12
W2136	21	36	12

- Includes 2 adjustable shelves
- Cabinet can be flipped in field to change hinging

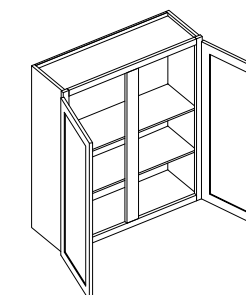
30" - 36" High Wall Double Door



Model	Outer Size		
	W	H	D
W2430	24	30	12
W2730	27	30	12
W3030	30	30	12
W3330	33	30	12
W3630	36	30	12
W3930	39	30	12
W2436	24	36	12
W2736	27	36	12
W3036	30	36	12
W3336	33	36	12
W3636	36	36	12
W3936	39	36	12

- Includes 2 adjustable shelves

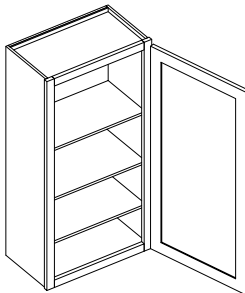
30" - 36" High Wall Double Door with Center Stile



Model	Outer Size		
	W	H	D
W4230	42	30	12
W4236	42	36	12

- Includes 2 adjustable shelves

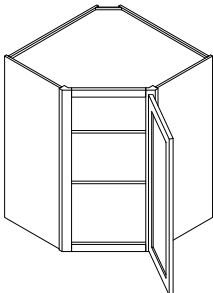
42" High Wall Single Door



Model	Outer Size		
	W	H	D
W942	9	42	12
W1242	12	42	12
W1542	15	42	12
W1842	18	42	12
W2142	21	42	12

- Includes 3 adjustable shelves
- Cabinet can be flipped in field to change hinging

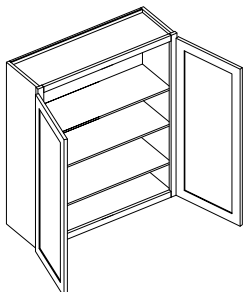
30" - 36" High Wall Corner



Model	Outer Size		
	W	H	D
WDC2430	24	30	12
WDC2436	24	36	12
WDC2736	27	36	15

- Includes 2 adjustable shelves
- Cabinet can be flipped in field to change hinging

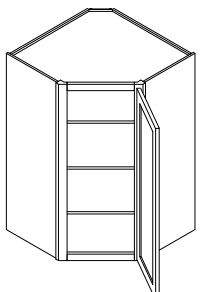
42" High Wall Double Door



Model	Outer Size		
	W	H	D
W2442	24	42	12
W2742	27	42	12
W3042	30	42	12
W3342	33	42	12
W3642	36	42	12
W3942	39	42	12

- Includes 3 adjustable shelves

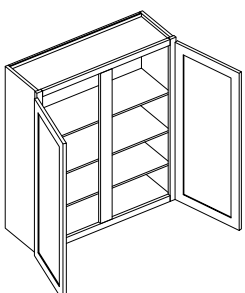
42" High Wall Corner



Model	Outer Size		
	W	H	D
WDC2442	24	42	12
WDC2742	27	42	15

- Includes 3 adjustable shelves
- Cabinet can be flipped in field to change hinging

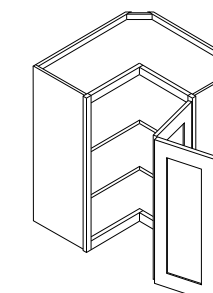
42" High Wall Double Door with Center Stile



Model	Outer Size		
	W	H	D
W4242	42	42	12

- Includes 3 adjustable shelves

Easy Reach Wall Cabinet

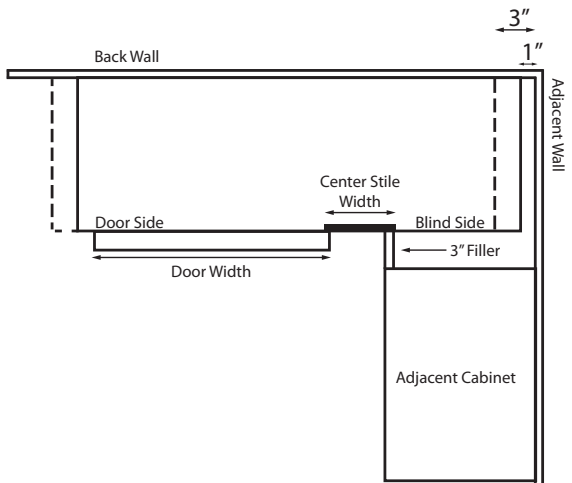


Model	Outer Size		
	W	H	D
WER2430*	24	30	12
WER2436*	24	36	12
WER2442**	24	42	12

- *Includes 2 adjustable shelves
- **Includes 3 adjustable shelves
- Cabinet can be flipped in field to change hinging

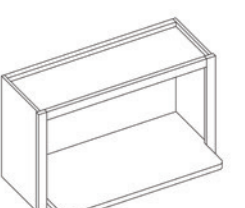
Installing a Wall Blind Cabinet

Proper installation ensures that the doors will open & show correct reveal



- Choose the blind side & assemble accordingly.
- Place cabinet against the back wall & position the blind side 1-3" away from the adjacent wall.
- Place at least a 3" filler next to the adjacent cabinet (not included).

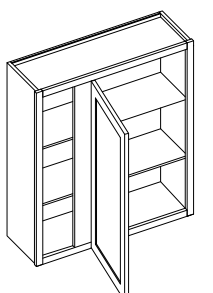
Wall Microwave Cabinet



Model	Outer Size		
	W	H	D
MWC3018	30	18	12

- Shelf is 17" D
- Opening: 14-1/4" H x 27" W
- Natural interior; finished interior available as modification

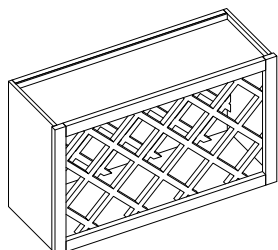
30" - 36" High Wall Blind Corner



Model	Outer Size			Pull to Fit Wall Space
	W	H	D	
WBC2430	24	30	12	25-27
WBC3030	30	30	12	31-33
WBC3630	36	30	12	37-39
WBC2436	24	36	12	25-27
WBC3036	30	36	12	31-33
WBC3636	36	36	12	37-39

- Includes 2 adjustable shelves
- Cabinet can be flipped in field to change hinging
- Filler required on adjacent cabinet (not included)

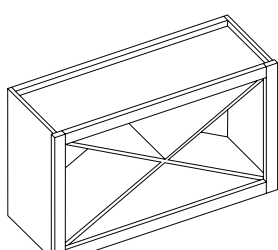
Wall Wine Rack



Model	Outer Size		
	W	H	D
WR3018	30	18	12

- Can be installed vertical or horizontal (must be between 2 cabinets when installed vertically)
- Holds 11 bottles
- Finished interior
- Available in Shelby Espresso & Kodiak, Berkley Modern Gray, Slate & Midnight

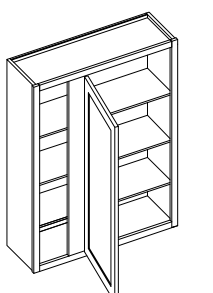
NEW! Wall Wine Rack



Model	Outer Size		
	W	H	D
WR3018	30	18	12

- Can be installed vertical or horizontal (must be between 2 cabinets when installed vertically)
- Holds 30 standard bottles
- Finished interior
- Available in Shelby Designer White, Sand & Moss, Berkley Bright White & Fawn, Oaklen Praline & White

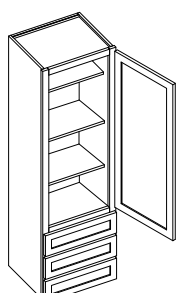
42" High Wall Blind Corner



Model	Outer Size			Pull to Fit Wall Space
	W	H	D	
WBC3042	30	42	12	31-33
WBC3642	36	42	12	37-39

- Includes 3 adjustable shelves
- Cabinet can be flipped in field to change hinging
- Filler required on adjacent cabinet (not included)

Wall Tower with 3 Drawers

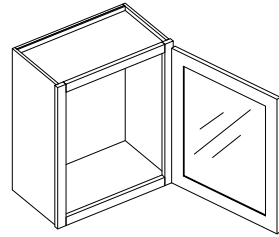


Model	Outer Size		
	W	H	D
WDT1548	15	48	15
WDT1554	15	54	15
WDT1560	15	60	15

- Includes 3 adjustable 10-3/8" D shelves
- Door can be reversed in field

WALL CABINETS

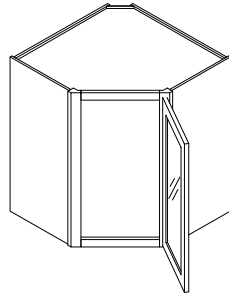
15" Wall Stacking Cabinet with Glass



Model	Outer Size		
	W	H	D
WS1215	12	15	12
WS1515	15	15	12
WS1815	18	15	12
WS2115	21	15	12

- Door comes pre-routed with clear glass insert & finished interior
- Cabinet can be flipped in field to change hinging

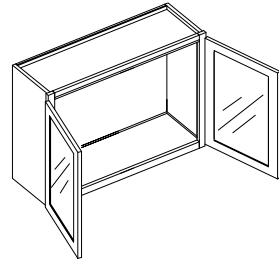
15" Wall Corner Stacking Cabinet with Glass



Model	Outer Size		
	W	H	D
WDCS2415	24	15	12
WDCS2715	27	15	15

- Door comes pre-routed with clear glass insert & finished interior
- Cabinet can be flipped in field to change hinging

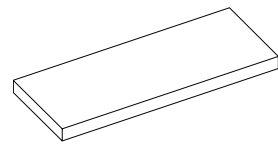
15" Wall Stacking Cabinet with Glass



Model	Outer Size		
	W	H	D
WS2415	24	15	12
WS2715	27	15	12
WS3015	30	15	12
WS3315	33	15	12
WS3615	36	15	12

- Door comes pre-routed with glass insert & finished interior

Floating Shelf



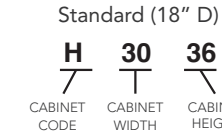
Model	Outer Size		
	W	H	D
FS1012	12	2.5	10
FS1024	24	2.5	10
FS1030	30	2.5	10
FS1036	36	2.5	10
FS1042	42	2.5	10

- **COMING 4TH QUARTER**
More floating shelf sizes

WOOD HOODS

NOTE: Liners & blowers sold separately

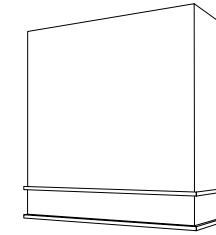
Wood Hood Nomenclature



Notes:

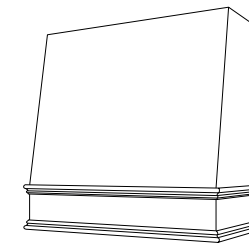
- Standard wood hood cabinets are 20" D.
- Liner/blower sold separately.
- Adjacent wall cabinets should not touch hood
- Available in all finishes as well as black paint and unfinished.

Box Hood Block Trim



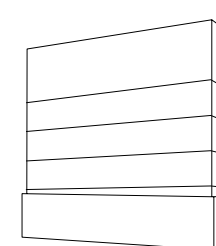
Model	Outer Size		
	W	H	D
HBBT3036	30	36	19.5
HBBT3048	30	48	19.5
HBBT3636	36	36	19.5
HBBT3648	36	48	19.5
HBBT4236	42	36	19.5
HBBT4248	42	48	19.5
HBBT4836	48	36	19.5
HBBT4848	48	48	19.5

Angled Hood Classic Trim



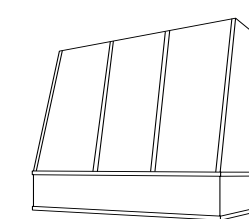
Model	Outer Size		
	W	H	D
HACT3036	30	36	20
HACT3048	30	48	20
HACT3636	36	36	20
HACT3648	36	48	20
HACT4236	42	36	20
HACT4248	42	48	20
HACT4836	48	36	20
HACT4848	48	48	20

Box Hood with Shiplap Walnut Band



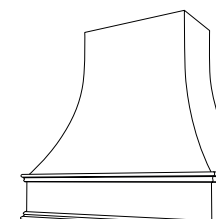
Model	Outer Size		
	W	H	D
HBSWB3036	30	36	20.25
HBSWB3048	30	48	20.25
HBSWB3636	36	36	20.25
HBSWB3648	36	48	20.25
HBSWB4236	42	36	20.25
HBSWB4248	42	48	20.25
HBSWB4836	48	36	20.25
HBSWB4848	48	48	20.25

Angled Hood with Strapping Flat Trim



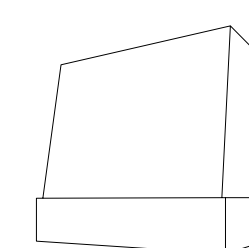
Model	Outer Size		
	W	H	D
HASFT3036	30	36	19.75
HASFT3048	30	48	19.75
HASFT3636	36	36	19.75
HASFT3648	36	48	19.75
HASFT4236	42	36	19.75
HASFT4248	42	48	19.75
HASFT4836	48	36	19.75
HASFT4848	48	48	19.75

Curved Hood Classic Trim



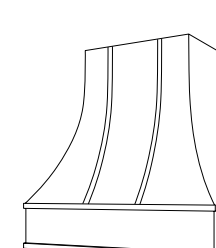
Model	Outer Size		
	W	H	D
HCCT3036	30	36	20
HCCT3048	30	48	20
HCCT3636	36	36	20
HCCT3648	36	48	20
HCCT4236	42	36	20
HCCT4248	42	48	20
HCCT4836	48	36	20
HCCT4848	48	48	20

Angled Hood with Walnut Band



Model	Outer Size		
	W	H	D
HAWB3036	30	36	20.25
HAWB3048	30	48	20.25
HAWB3636	36	36	20.25
HAWB3648	36	48	20.25
HAWB4236	42	36	20.25
HAWB4248	42	48	20.25
HAWB4836	48	36	20.25
HAWB4848	48	48	20.25

Curved Hood with Brass Strapping

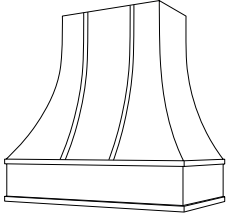


Model	Outer Size		
	W	H	D
HCBS3036	30	36	19.81
HCBS3048	30	48	19.81
HCBS3636	36	36	19.81
HCBS3648	36	48	19.81
HCBS4236	42	36	19.81
HCBS4248	42	48	19.81
HCBS4836	48	36	19.81
HCBS4848	48	48	19.81

WOOD HOODS

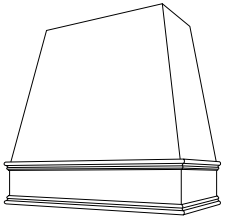
NOTE: Liners & blowers sold separately

Curved Hood with Strapping Flat Trim



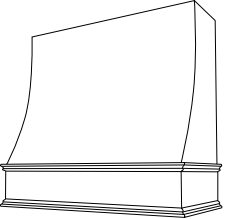
Model	Outer Size		
	W	H	D
HCSFT3036	30	36	19.75
HCSFT3048	30	48	19.75
HCSFT3636	36	36	19.75
HCSFT3648	36	48	19.75
HCSFT4236	42	36	19.75
HCSFT4248	42	48	19.75
HCSFT4836	48	36	19.75
HCSFT4848	48	48	19.75

Tapered Hood Classic Trim



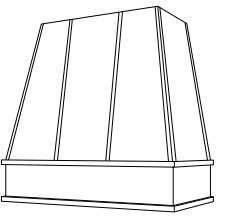
Model	Outer Size		
	W	H	D
HTCT3036	30	36	20
HTCT3048	30	48	20
HTCT3636	36	36	20
HTCT3648	36	48	20
HTCT4236	42	36	20
HTCT4248	42	48	20
HTCT4836	48	36	20
HTCT4848	48	48	20

Sloped Hood Classic Trim



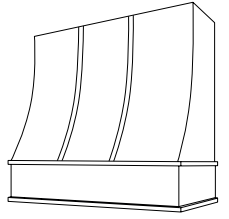
Model	Outer Size		
	W	H	D
HSCT3036	30	36	20
HSCT3048	30	48	20
HSCT3636	36	36	20
HSCT3648	36	48	20
HSCT4236	42	36	20
HSCT4248	42	48	20
HSCT4836	48	36	20
HSCT4848	48	48	20

Tapered Hood with Strapping Flat Trim



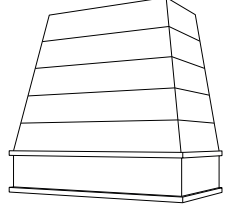
Model	Outer Size		
	W	H	D
HTSFT3036	30	36	19.75
HTSFT3048	30	48	19.75
HTSFT3636	36	36	19.75
HTSFT3648	36	48	19.75
HTSFT4236	42	36	19.75
HTSFT4248	42	48	19.75
HTSFT4836	48	36	19.75
HTSFT4848	48	48	19.75

Sloped Hood with Brass Strapping



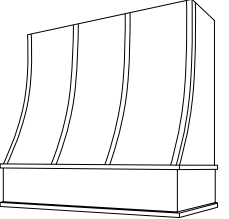
Model	Outer Size		
	W	H	D
HSBS3036	30	36	20.25
HSBS3048	30	48	20.25
HSBS3636	36	36	20.25
HSBS3648	36	48	20.25
HSBS4236	42	36	20.25
HSBS4248	42	48	20.25
HSBS4836	48	36	20.25
HSBS4848	48	48	20.25

Tapered with Shiplap Hood Block Trim



Model	Outer Size		
	W	H	D
HTSBT3036	30	36	20
HTSBT3048	30	48	20
HTSBT3636	36	36	20
HTSBT3648	36	48	20
HTSBT4236	42	36	20
HTSBT4248	42	48	20
HTSBT4836	48	36	20
HTSBT4848	48	48	20

Sloped Hood with Strapping Flat Trim




Model	Outer Size		
	W	H	D
HSSFT3036	30	36	19.75
HSSFT3048	30	48	19.75
HSSFT3636	36	36	19.75
HSSFT3648	36	48	19.75
HSSFT4236	42	36	19.75
HSSFT4248	42	48	19.75
HSSFT4836	48	36	19.75
HSSFT4848	48	48	19.75

WOOD HOODS

NOTE: Liners & blowers sold separately

Hood Insert Broan Internal Blower



Model	Duct Collar	W	CFM
PM300SS	7	21-3/8	300
PM400SS	6	21-3/8	400

- Liner sold separately


Stainless Steel Liner



Model	Size
LB30SS	Fits a 30 W
LB36SS	Fits a 36 W

- For use with Broan Hood Insert Internal Start Blower


Hood Insert Trade Wind Internal Blower



Model	Duct Collar	W	CFM
VSL4303RC	7	28-3/8	390
VSL4306RC	8	28-3/8	600
VSL4363RC	7	34-3/8	390
VSL4366RC	8	34-3/8	600
VSL44212RC	10	40-3/8	1200
VSL4423RC	7	40-3/8	390
VSL4426RC	8	40-3/8	600
VSL44812RC	10	46-3/8	1200
VSL4483RC	6	46-3/8	390
VSL4486RC	8	46-3/8	600

- Liner sold separately

Broan Ductless Recirculating Kit



Model
HARKPM

- Provides use of an insert in an application where it is not feasible to duct a range hood to an external location
- Includes a charcoal filter, a soffit grille, a 90-degree stack boot, a 7 in. round duct and a 6 in. to 7 in round transition

Trade Wind Ductless Kit



Model	Size
BL39400DCK	Fits a 30, 36, 42 Hood
BL39400DCK1	Fits a 48 Hood

BASE CABINETS

Base Cabinet Nomenclature

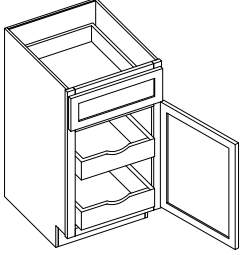
B
 /
CABINET CODE

30
 T
CABINET WIDTH

Notes:

- Standard base cabinets are 24" D & 34.5" H.
- Add door thickness for total cabinet depth.
- Please refer to the Product Index to determine which products are carried for each cabinet line.

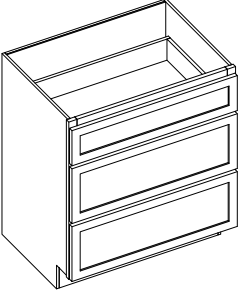
Base Single Door with 2 Roll Out Trays



Model	Outer Size		
	W	H	D
B15ROT	15	34.5	24
B18ROT	18	34.5	24
B21ROT	21	34.5	24

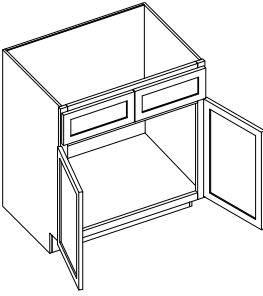
- Door reversible in field
- Includes 2 adjustable roll out trays

Base Drawer with 3 Drawers



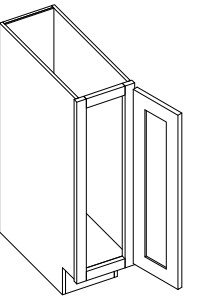
Model	Outer Size		
	W	H	D
3DB12	12	34.5	24
3DB15	15	34.5	24
3DB18	18	34.5	24
3DB21	21	34.5	24
3DB24	24	34.5	24
3DB27	27	34.5	24
3DB30	30	34.5	24
3DB33	33	34.5	24
3DB36	36	34.5	24

Base Sink



Model	Outer Size		
	W	H	D
SB30	30	34.5	24
SB33	33	34.5	24
SB36	36	34.5	24

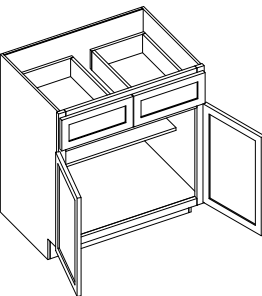
Base Full Height



Model	Outer Size		
	W	H	D
BFH09	9	34.5	24

- Door reversible in field

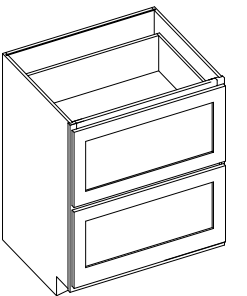
Base Double Door



Model	Outer Size		
	W	H	D
B24	24	34.5	24
B27	27	34.5	24
B30	30	34.5	24
B33	33	34.5	24
B36	36	34.5	24
B39	39	34.5	24

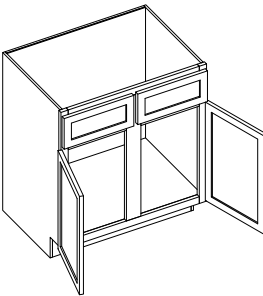
- Includes 1 adjustable half depth shelf
- B24 has single drawer

Base Drawer with 2 Drawers



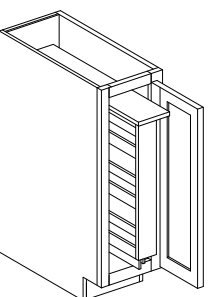
Model	Outer Size		
	W	H	D
2DB30	30	34.5	24
2DB36	36	34.5	24

Base Sink with Center Stile



Model	Outer Size		
	W	H	D
SB42	42	34.5	24
SB48	48	34.5	24

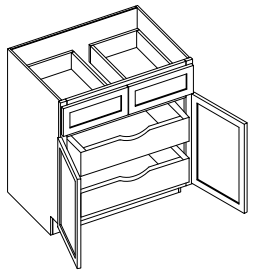
Base Full Height with Spice Rack



Model	Outer Size		
	W	H	D
BFH09SRI	9	34.5	24

- Door reversible in field

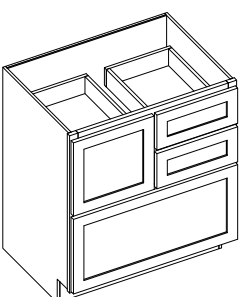
Base Double Door with 2 Roll Out Trays



Model	Outer Size		
	W	H	D
B24ROT	24	34.5	24
B27ROT	27	34.5	24
B30ROT	30	34.5	24
B33ROT	33	34.5	24
B36ROT	36	34.5	24

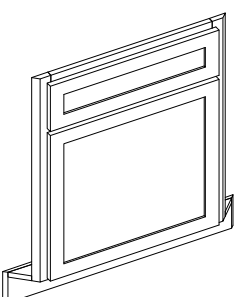
- B24 has single drawer
- Includes 2 adjustable roll out trays
- B33 only available in Berkley Bright White

Cooking Center



Model	Outer Size		
	W	H	D
CCB30	30	34.5	24

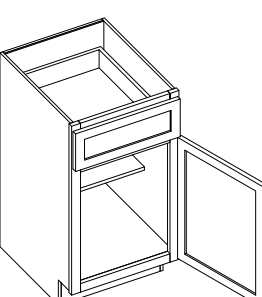
Corner Sink Front (Diagonal Sink Front)



Model	Outer Size		
	W	H	D
CSF42	27	34.5	2
CSF-FLOOR	48	0.5	48

- Sink floor not pictured & sold separately (see page 27)
- Back of face frame measures 27" W

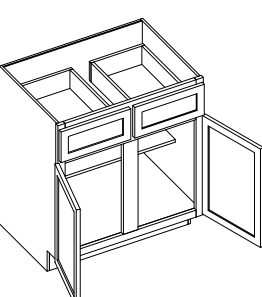
Base Single Door



Model	Outer Size		
	W	H	D
B12	12	34.5	24
B15	15	34.5	24
B18	18	34.5	24
B21	21	34.5	24

- Includes 1 adjustable half depth shelf
- Door reversible in field

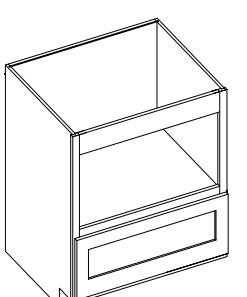
Base Double Door with Center Stile



Model	Outer Size		
	W	H	D
B42	42	34.5	24

- Includes 1 adjustable shelf

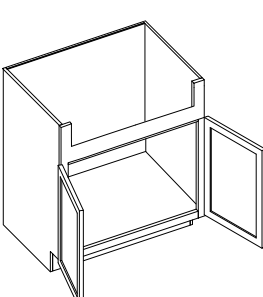
Base Microwave Cabinet



Model	Outer Size		
	W	H	D
BMW30	30	34.5	24

- Natural interior, finished interior available with modification
- Opening: 27" W x 14.75" H
- 24" **COMING SOON!**

Base Farm Sink



Model	Outer Size		
	W	H	D
FSB36	36	34.5	24

- Min. cutout: 29.75" W x 5.125" H
- Max cutout: 33.75" W x 12" H

Installing a Base Blind Cabinet

Proper installation ensures that the drawer will clear hardware, & doors will open, & show correct reveal.

- Place the cabinet back against the back wall.
 - BBC36 & BBC42: Position the blind side 6"-9" away from the adjacent wall.
 - BBC48: Position the blind side 0"-3" away from the adjacent wall.
- Place at least a 3" filler next to adjacent cabinet (not included).

Base Trash Can with Full Height Door

Model	Outer Size		
	W	H	D
TCB18FHD-1*	18	34.5	24
TCB18FHD-2**	18	34.5	24

- *Includes 1 50 QT can
- **Includes 2 35 QT cans
- Undermount trash can insert (TCIB18) for standard B18 located on pg 19
- Door will still have hinge hole drillings

Base Trash Can with Door & Insert

Model	Outer Size		
	W	H	D
B18TCB	18	34.5	24

- Includes 2 35 QT trash cans
- Door will still have hinge hole drillings

30" Base Blind

Model	Outer Size			Pull to Fit Wall Space
	W	H	D	
BBC36	30	34.5	24	36-39

- Includes 1 shelf
- Door reversible in field
- Blind reversible in field
- Filler required on adjacent cabinet (not included)

Base Easy Reach

Model	Outer Size		
	W	H	D
BER33	33	34.5	24
BER36	36	34.5	24

- Door reversible in field

36" - 48" Base Blind Corner

Model	Outer Size			Pull to Fit Wall Space
	W	H	D	
BBC42	36	34.5	24	42-45
BBC48	48	34.5	24	48-51

- Includes 1 adjustable half depth shelf
- Door reversible in field
- Blind reversible in field
- Filler required on adjacent cabinet (not included)

Base Lazy Susan

Model	Outer Size		
	W	H	D
LS33	33	34.5	24
LS36	36	34.5	24

- Door reversible in field

Wall Base Single Door with Toe Kick

Model	Outer Size		
	W	H	D
WB12	12	34.5	12
WB15	15	34.5	12
WB18	18	34.5	12
WB21	21	34.5	12

- Includes 2 adjustable shelves
- Door reversible in field
- Toe kick box ships separately

Wall Base Double Door with Toe Kick

Model	Outer Size		
	W	H	D
WB24	24	34.5	12
WB30	30	34.5	12
WB36	36	34.5	12

- Includes 2 adjustable shelves
- Toe kick box ships separately

Base Desk Drawer

Model	Outer Size		
	W	H	D
DDB18	18	29.5	24

- Bottom drawer is for files

Vanity Knee Drawer

Model	Outer Size		
	W	H	D
VD24	23.5	4.75	21

- Drawer box is 2" H
- Slab drawer head
- Non-dovetail drawer box

Vanity Knee Drawer Trimmable

Model	Outer Size		
	W	H	D
VD36	29.5	4.75	21

- Adjustable sides
- Trimable to 30"
- Drawer box is 2" H
- Slab drawer head
- Non-dovetail drawer box

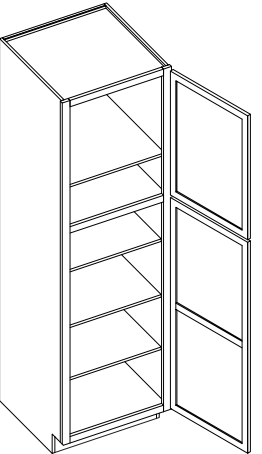
Tall Cabinet Nomenclature

UP **24** **96** **12**
CABINET CODE CABINET WIDTH CABINET HEIGHT CABINET DEPTH

Notes:

- Standard tall cabinets are 24" D.
- Add door thickness for total cabinet depth.
- Please refer to the Product Index to determine which products are carried for each cabinet line.

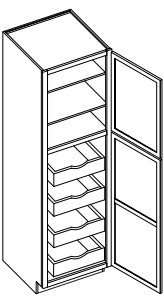
Tall Single Door



Model	Outer Size		
	W	H	D
24" DEPTH			
UP1884*	18	84	24
UP1890*	18	90	24
UP1896**	18	96	24
21" DEPTH			
UP188421*	18	84	21
UP189021*	18	90	21
UP189621**	18	96	21
18" DEPTH			
UP188418*	18	84	18
UP189018*	18	90	18
UP189618**	18	96	18
12" DEPTH			
UP188412*	18	84	12
UP189012*	18	90	12
UP189612**	18	96	12

- *Includes 4 adjustable shelves
- **Includes 5 adjustable shelves
- Door reversible in field

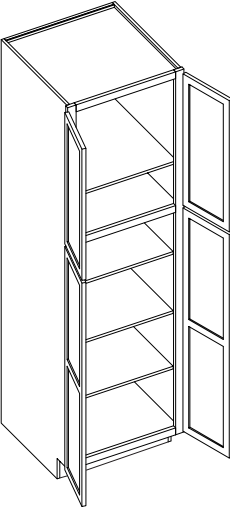
Tall Single Door with 4 Roll Out Trays



Model	Outer Size		
	W	H	D
24" DEPTH			
UP1884ROT	18	84	24
UP1890ROT	18	90	24
UP1896ROT	18	96	24

- All 4 adjustable roll out trays on bottom
- Adjustable shelves in top section

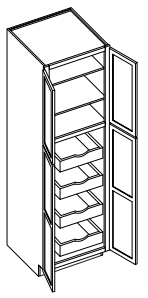
Tall 24" & 30" Double Door



Model	Outer Size		
	W	H	D
24" DEPTH			
UP2484*	24	84	24
UP2490*	24	90	24
UP2496**	24	96	24
UP3090*	30	90	24
UP3096**	30	96	24
21" DEPTH			
UP248421*	24	84	21
UP249021*	24	90	21
UP249621**	24	96	21
UP309021*	30	90	21
UP309621**	30	96	21
18" DEPTH			
UP248418*	24	84	18
UP249018*	24	90	18
UP249618**	24	96	18
UP309018*	30	90	18
UP309618**	30	96	18
12" DEPTH			
UP248412*	24	84	12
UP249012*	24	90	12
UP249612**	24	96	12
UP309012*	30	90	12
UP309612**	30	96	12

- *Includes 4 adjustable shelves
- **Includes 5 adjustable shelves

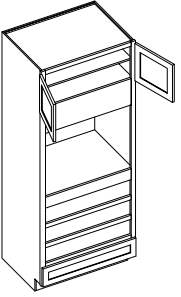
Tall 24" & 30" Double Door with 4 Roll Out Trays



Model	Outer Size		
	W	H	D
24" DEPTH			
UP2484ROT*	24	84	24
UP2490ROT*	24	90	24
UP2496ROT**	24	96	24
UP3090ROT*	30	90	24
UP3096ROT**	30	96	24

- All 4 adjustable roll out trays on bottom
- Adjustable shelves in top section

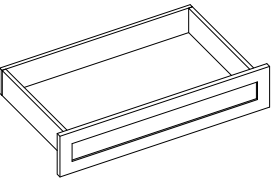
Tall Oven Cabinet



Model	Outer Size		
	W	H	D
OC3390	33	90	24
OC3396	33	96	24

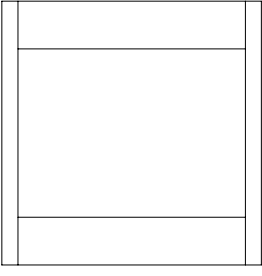
- Includes 1 adjustable shelf
- Includes 1 drawer
- Cutouts:
 - 30" W x 24.75" H
 - 30" W x 36.125" H
 - 30" W x 43.25" H
 - 30" W x 50.375" H

Oven Cabinet Drawer



Model	Outer Size		
	W	H	D
OCD337	32.5	6.75	24

Oven Cabinet Overlay Panel



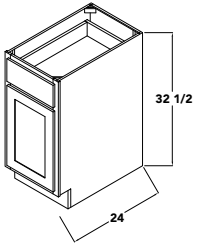
Model	Outer Size		
	W	H	D
OCP3353	32.5	53	0.75

- Cutouts:
 - 28.5" W x 21" H
 - 28.5" W x 36.25" H
 - 28.5" W x 43" H
 - 28.5" W x 50.25" H

UNIVERSAL DESIGN

NOTE: Available in Shaker White Only

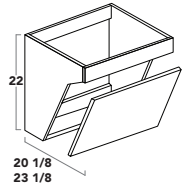
UD Base, Single Door



Item Code	Outer Size	
	W	H
B1232	12	32.5
B1532	15	32.5
B1832	18	32.5
B2132	21	32.5

- One adjustable shelf, half depth
- Reversible in field
- Soft close available

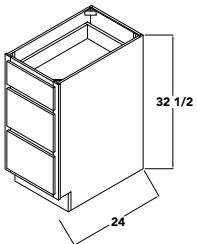
UD Wall Hung Sink Base



Item Code	Outer Size	
	W	H
20-1/8" DEPTH		
VSBWH30*	30	22
23-1/8" DEPTH		
SBWH36*	36	22

- Install at 32-1/2" off floor for ADA Compliance
- *Needs 33" W spacing for removable sink base
- Removable Sink Base sold separately

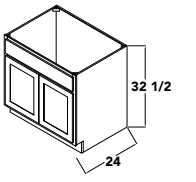
UD Base, Three Drawers



Item Code	Outer Size	
	W	H
3DB1232	12	32.5
3DB1532	15	32.5

- One shallow and two deep drawers
- Soft close available
- Top drawer aligns with UD base cabinetry

UD Removable Sink Base



Item Code	Outer Size	
	W	H
RSB3032	30	32.5
21" DEPTH		
RSB3632	36	32.5

- Open back
- Required Wall Hung Sink Base sold separately
- Soft close available

VANITY CABINETS

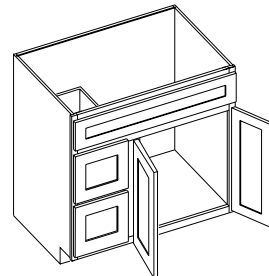
Vanity Cabinet Nomenclature

V
30
96
21
CABINET CODE CABINET WIDTH CABINET HEIGHT CABINET DEPTH

Notes:

- Standard vanity cabinets are 21" D.
- Add door thickness for total cabinet depth.
- Please refer to the Product Index to determine which products are carried for each cabinet line.

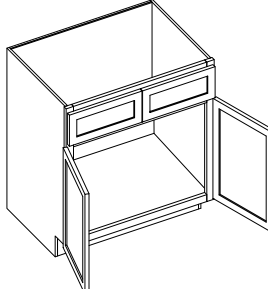
Vanity Sink Base with Drawers



Model	Outer Size		
	W	H	D
21" DEPTH			
VDD363421R	36	34.5	21
VDD363421L	36	34.5	21

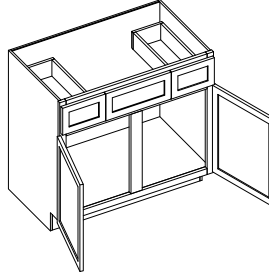
- Pictured is VDD363421L

Vanity Sink Base



Model	Outer Size		
	W	H	D
21" DEPTH			
VSB213421	21	34.5	21
VSB243421	24	34.5	21
VSB273421	27	34.5	21
VSB303421	30	34.5	21
VSB333421	33	34.5	21
VSB363421	36	34.5	21
18" DEPTH			
VSB213418	21	34.5	18
VSB243418	24	34.5	18
VSB273418	27	34.5	18
VSB303418	30	34.5	18
VSB333418	33	34.5	18
VSB363418	36	34.5	18
12" DEPTH			
VSB213412	21	34.5	12

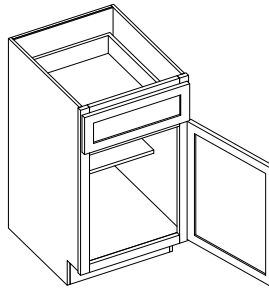
Vanity Sink Base with Drawers



Model	Outer Size		
	W	H	D
21" DEPTH			
VSB363421	36	34.5	21
VSB423421	42	34.5	21
VSB483421	48	34.5	21

- Has center stile

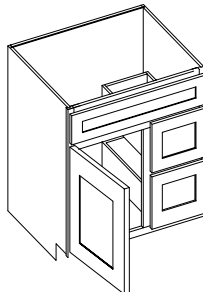
Vanity Base



Model	Outer Size		
	W	H	D
21" DEPTH			
VB123421	12	34.5	21
VB153421	15	34.5	21
VB183421	18	34.5	21

- Includes 1 adjustable half depth shelf
- Door reversible in field

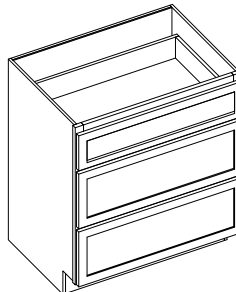
Vanity Sink Base with Drawer



Model	Outer Size		
	W	H	D
21" DEPTH			
VDD303421R	30	34.5	21
VDD303421L	30	34.5	21

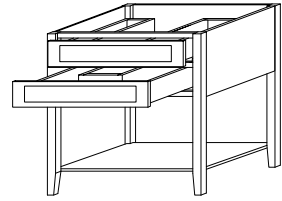
- Pictured is VDD303421R

Vanity Drawer Base



Model	Outer Size		
	W	H	D
21" DEPTH			
3VDB123421	12	34.5	21
3VDB153421	15	34.5	21
3VDB183421	18	34.5	21
3VDB243421	24	34.5	21

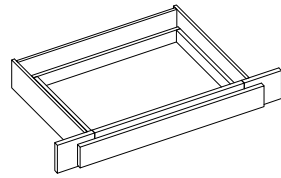
Furniture Vanity Sink Base



Model	Outer Size		
	W	H	D
VSBS0363421	36	34.5	21

- Drawer notched for plumbing
- Includes adjustable feet
- Height does not include adjustable feet

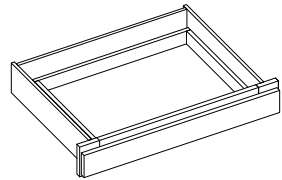
Vanity Knee Drawer Trimmable



Model	Outer Size		
	W	H	D
VD36	29.5	4.75	21

- Adjustable sides
- Trimmable to 30"
- Drawer box is 2" H
- Slab drawer head
- Non-dovetail drawer box

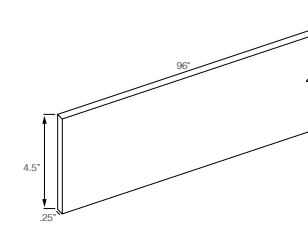
Vanity Knee Drawer



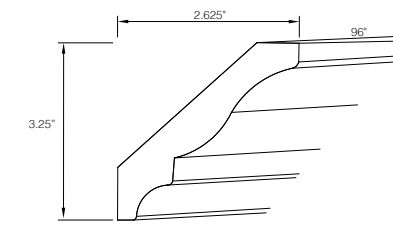
Model	Outer Size		
	W	H	D
VD24	23.5	4.75	21

- Drawer box is 2" H
- Slab drawerhead
- Non-dovetail drawer box

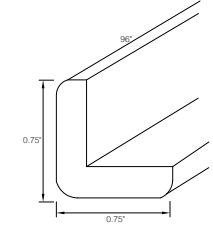
Toe Kick Molding - TK8



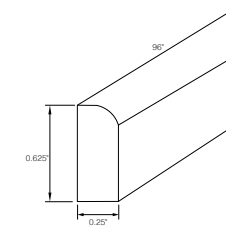
Large Crown Molding - LCM8



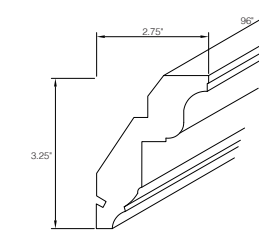
Outside Corner Molding - OC8



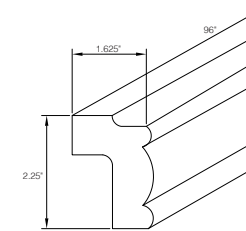
Scribe Molding - SCM8



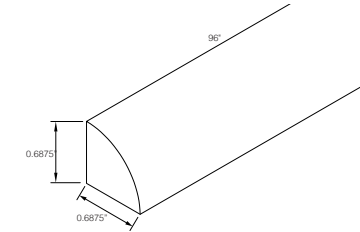
Royal Crown Molding - RCM8



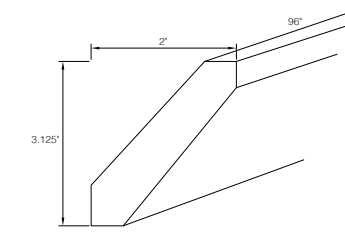
Traditional Light Rail Molding - LR8



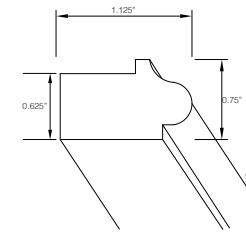
Shoe Molding - SHM8



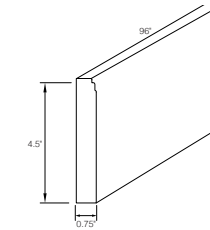
Shaker Crown Molding - SCR8



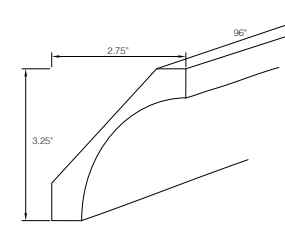
Bottom Edge Molding - BEM8



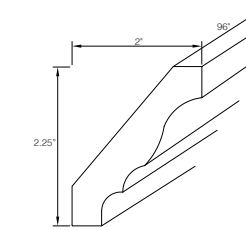
Furniture Base Molding - FBM8



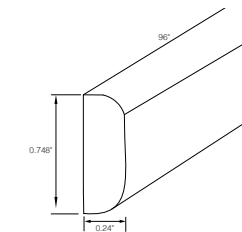
Cove Crown Molding - COM8



Traditional Crown Molding - TCM8

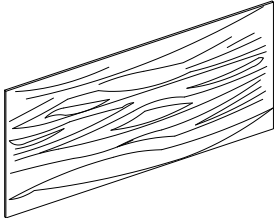


Batton Molding - BM8



FILLERS & PANELS

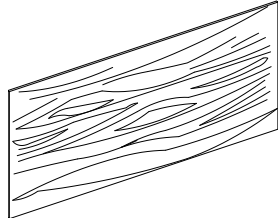
Back Panel - Long Grain Wood



Model	Outer Size		
	W	H	D
BP4896	48	96	0.25

- Finished 1 side, raw back

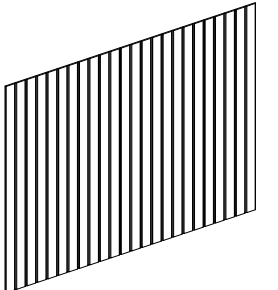
1/2" Thick Finished Plywood Panel



Model	Outer Size		
	W	H	D
PP4896	48	96	0.5

- Finished 1 side, natural UV back

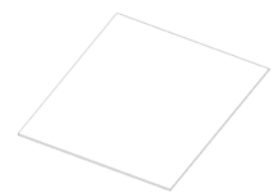
Bead Board



Model	Outer Size		
	W	H	D
BB4842	48	42	0.25

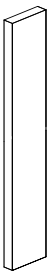
- Finished 1 side, raw back

Corner Sink Floor



Model	Outer Size		
	W	H	D
CSF-FLOOR	48	0.5	48


Tall Filler



Model	Outer Size		
	W	H	D
TF396	3	96	0.75
TF696	6	96	0.75

- 1 Side & all 4 edges finished

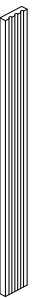
Overlay Filler



Model	Outer Size		
	W	H	D
OF330	2.5	28.75	0.75
OF336	2.5	34.75	0.75
OF342	2.5	40.75	0.75
OF630	5.5	28.75	0.75

- 1 Side & all 4 edges finished
- Filler required (not included)


Fluted Filler



Model	Outer Size		
	W	H	D
FF396	3	96	0.75

- 1 Side & all 4 edges finished

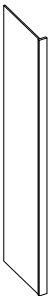
Dishwasher End Panel



Model	Outer Size		
	W	H	D
DWP	3	34.5	24

- 0.5" Panel thickness
- Finished 1 side, natural UV back
- Reversible in field


Refrigerator End Panel



Model	Outer Size		
	W	H	D
TEP3096	1.5	96	30

- All 4 edges finished
- 0.5" Panel thickness
- Finished 1 side, natural UV back
- Reversible in field


Bookcase End



Model	Outer Size		
	W	H	D
BCE1596	1.5	96	15

- To be installed against wall or tall cabinet
- Requires shelf
- Shelf clips available
- 0.5" Panel thickness

Shelf

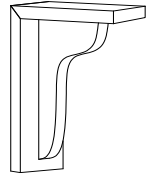


Model	Outer Size		
	W	H	D
SHELF1296*	12	96	0.625
SHELF2496**	24	96	0.625

- All sides finished
- 3/4" Plywood construction
- *Available in natural, stained or painted
- **Available in natural only

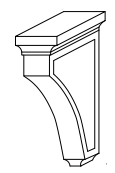
DECORATIVE ACCESSORIES

Corbel - Basic Medium



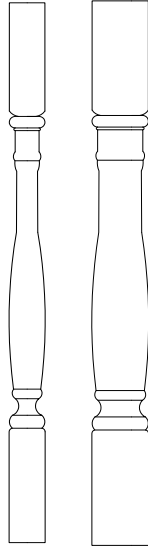
Model	Outer Size		
	W	H	D
CORB M	3	10.5	7.5

Corbel - Transitional



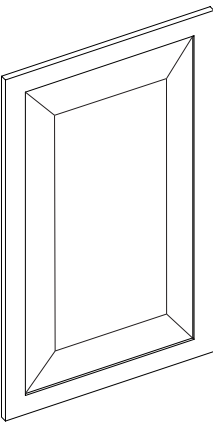
Model	Outer Size		
	W	H	D
CORT M	3.5	10.5	7

Turned Post



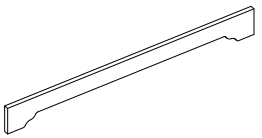
Model	Outer Size		
	W	H	D
TPOST3	3	35.5	3
TPOST5	5	35.5	5

Decorative Base/Wall Panel



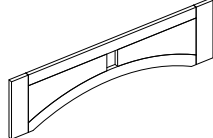
Model	Outer Size		
	W	H	D
WDP1215	11.5	13.75	0.75
WDP2415	22.5	13.75	0.75
WDP1230	11.5	28.75	0.75
WDP2430	23.5	28.75	0.75
WDP1236	11.5	34.75	0.75
WDP1242	11.5	40.75	0.75

Furniture Valance



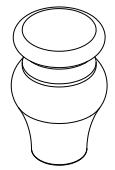
Model	Outer Size		
	W	H	D
FVA37	37	4.5	0.75

Raised Panel Valance



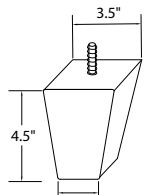
Model	Outer Size		
	W	H	D
RPV42	42	12	0.75
RPV48	48	12	0.75

Bunfoot



Model	Outer Size		
	W	H	D
TBUNFOOT	3	4.5	3

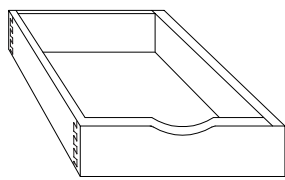
Taperfoot - Transitional



Model	Outer Size		
	W	H	D
TAPERFOOT	4.5	3.5	2

ATTACHMENTS & INSERTS

Roll Out Tray Kit



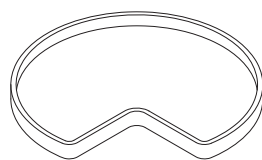
- Includes 2 trays & 4 tracks

Model	Outer Size		
	W	H	D
ROT15-SC	11.4375	4	21
ROT18-SC	14.375	4	21
ROT21-SC	17.4375	4	21
ROT24-SC	20.25	4	21
ROT27-SC	23.125	4	21
ROT30-SC	26.125	4	21
ROT33-SC	29.125	4	21
ROT36-SC	32.125	4	21

Roll Out Tray Usage Guide

Model	Designed to Fit
ROT15-SC	B15
ROT18-SC	B18, UP1890, UP1896
ROT21-SC	B21
ROT24-SC	B24, UP2484, UP2490, UP2496
ROT27-SC	B27
ROT30-SC	B30, SB30, UP3084, UP3090, UP3096
ROT33-SC	B33, SB33
ROT36-SC	B36, SB36

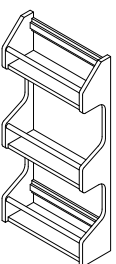
Lazy Susan Kit



- Designed to fit in BER33, BER36
- Includes 2 trays for shelf mounting
- Birch plywood construction

Model	Outer Size		
	W	H	D
LSK2P	29	1.5	29

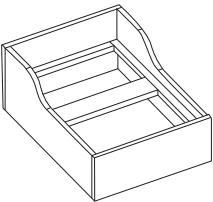
Spice Rack Door Attachment



Model	Outer Size		
	W	H	D
SRDM15*	11.5	24	4
SRDM18**	14.5	24	4

- *Designed to fit in W15
- **Designed to fit in W18

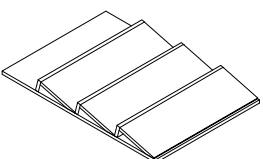
Trash Can Insert for B18



- Designed to fit in B18
- Includes 2 35 QT cans
- Dovetail, solid wood construction
- Undermount, full extension, soft close slides

Model	Outer Size		
	W	H	D
TCIB18	14.625	4.125	19.75

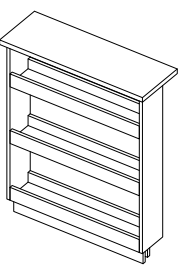
Spice Rack Tray Insert



Model	Outer Size		
	W	H	D
STDI14*	13.375	1.094	19.75
STDI20**	19.75	1.094	19.75

- *Designed to fit in B18
- **Designed to fit in B24

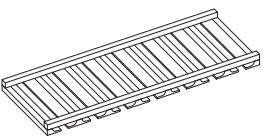
Spice Rack Insert



Model	Outer Size		
	W	H	D
SRI9	5.75	24	20.5

- Designed to fit in BFH09

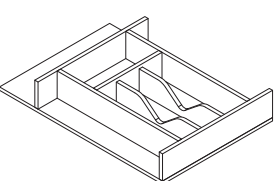
Stemware Rack



Model	Outer Size		
	W	H	D
SWR	30	12	10.5

- Trimmable in field

Cutlery Drawer Insert



Model	Outer Size		
	W	H	D
CDI14*	13.375	1.75	19.75
CDI20**	19.75	1.75	19.75

- *Designed to fit in B18, 3DB18
- **Designed to fit in B24, 3DB24



ORIGINAL COLLECTION

The Original Collection features all-wood construction in five distinct styles with upgrade options including soft close for both drawers and doors.



DESIGNER COLLECTION

The Designer Collection boasts unique touches and superb craftsmanship with eight premium full overlay door styles with included features of soft close and full extension drawers.



ESSENTIAL COLLECTION

The Essential Collection combines timeless design and a touch of luxury with full access cabinetry and overlay styling, made from commercial grade furniture board. Craft33 Essential Collection is a truckload program only.

Learn more at craft33products.com

Description of Warranty

This warranty applies only to the original consumer purchaser for three years from obtaining the product and is not transferable. Craft33® Designer warrants all of its Craft33 Designer cabinetry with a 3 Year Limited Warranty. In addition, all drawers, shelves, roll out trays, and any mechanical components will be free from material defects and workmanship. In the event that any Craft33 Designer product fails during the course of normal use, Craft33 Designer will either repair or replace the defective product at its own discretion and as determined solely by Craft33 Designer.

II. Intended Use of Product

To be covered by this warranty, the product must only be used for its intended purpose(s). Cabinets that have been improperly stored, installed, misused, modified, abused, mishandled, and/or subject to excessive moisture or extreme temperatures are not covered under this warranty. Any expenses involved in the shipping, removal, installation, or consequent damage of the defective product is not covered under this warranty. This warranty does not apply to products installed in mobile homes or recreational vehicles.

III. Anticipated Variance in Product

The Craft33 Designer warranty only applies to product defects and does not apply to properties of natural wood that are subjective in natural wood species. Anytime you have a natural wood product, occurrences such as pinholes, knots, and variance in color or grain must be anticipated and, therefore, are not covered under this warranty. Prolonged exposure to light, heat, or aging may cause a change in color. Any event caused by environmental or chemical effects to the product are not covered under this warranty.

The properties of natural wood are such that it can react to climatic or humidity changes found within most homes. As much as half of the weight of freshly cut wood is water. Craft33 Designer doors and face frames are manufactured from solid wood that has been carefully kiln-dried, retaining just enough moisture for proper construction and finishing. The center panels of some of the Craft33 Designer doors are wood and some are medium density fiberboard. As a product of nature, solid hardwoods continue to react to their surroundings long after manufacture. When wood cabinet doors are in a warm, moist environment (high relative humidity), the wood expands. In a dry, colder environment (low relative humidity), the wood will contract. Expansion and contraction can be controlled but never eliminated even with humidity regulation.

Door panels are prone to minor expansion and contraction as seasonal temperature and humidity changes occur in a home. The contraction or shrinkage of the center door panel during low humidity periods may result in the appearance of an unfinished line along the edge of the center panel. Craft33 Designer does not consider the appearance of an unfinished line as a product defect and will not replace doors due to this situation. It is recommended that a humidity control system is incorporated in a home to reduce the possibility of expansion and contraction in wood products. Touch-up markers are made available for purchase through your authorized Craft33 Designer dealer to cover this edge line. Oftentimes, touch-up may only be necessary within the first year.

All of the doors for Craft33 Designer cabinetry are manufactured in moisture-controlled environments under precise tolerances. Although slight door warpage can be common in one or two doors within a newly installed kitchen, any door that has not hung through a complete heating and cooling cycle has the possibility of warping. Slight warpage can be eliminated through adjustments in the adjustable hinges. Any warpage that exceeds the capability of adjustments to the hinges should be further examined by removing the door from the cabinet and placing it on a flat surface. Hinge spacers are also available in cases where the warpage cannot be eliminated through hinge adjustments. Hinge spacers are available through your authorized Craft33 Designer dealer. If the warpage cannot be eliminated through hinge adjustments or the use of hinge spacers and only if the doors have hung through a complete heating and cooling cycle and all of the cabinets are true and plumb, will Craft33 Designer consider replacement.

Normal movement is typical on wood products, certain climatic conditions can cause finish breaks, recesses, and joint and panel lines. An open joint line is not considered a defect and is not covered under this warranty. Proper humidification of homes in extremely dry environments is strongly recommended.

Discoloration will develop on doors, drawers, and cabinet parts after continued exposure to tobacco smoke. This is remarkably apparent on lighter finishes. We do not warrant discoloration in our products due to exposure to smoke of any kind.

IV. Product Repair or Replacement

Throughout the duration of the warranty period, Craft33 Designer's sole obligation is to repair or replace any defective product for no charge at the discretion of Craft33 Designer. This warranty only applies to cabinets and affiliated products sold by Craft33 Designer, offered through an authorized Craft33 Designer dealer. In the event that a claim is filed after the original product has been discontinued or canceled, Craft33 Designer will honor the warranty, at their discretion, subject to the availability of the product, by either:

- Repairing or replacing the defective product with a new product of the same style.
- Repairing or replacing the defective product with a product of equal value and complementary style in order to maintain the appearance of the original cabinetry purchase.

An exact match between the finish of the original purchased product and the replacement or repaired product is not guaranteed.

V. Rights of Consumer

There are no other warranties, disclosed or indicated, associated with this product. This document serves as a description of the consumer's definitive legal rights within the transaction and is the exclusive warranty for Craft33 Designer. The exclusion or partial limitation of contingent or substantial damages is not permissible in some states. The consumer may also have further rights from state-to-state which are not cited in this warranty.

VI. Submission of a Claim

All claims must be submitted to the authorized Craft33 Designer dealer where the cabinets were originally purchased. Claims are to be submitted in writing. Every claim must include a dated copy of the original sales receipt as a proof of purchase as well as pictures of the product defect(s). A product return will be requested by the Craft33 Designer claims department. We will provide return instructions.

RETURNS

All Craft33 Designer assembled cabinets are special order products and are non-refundable.

