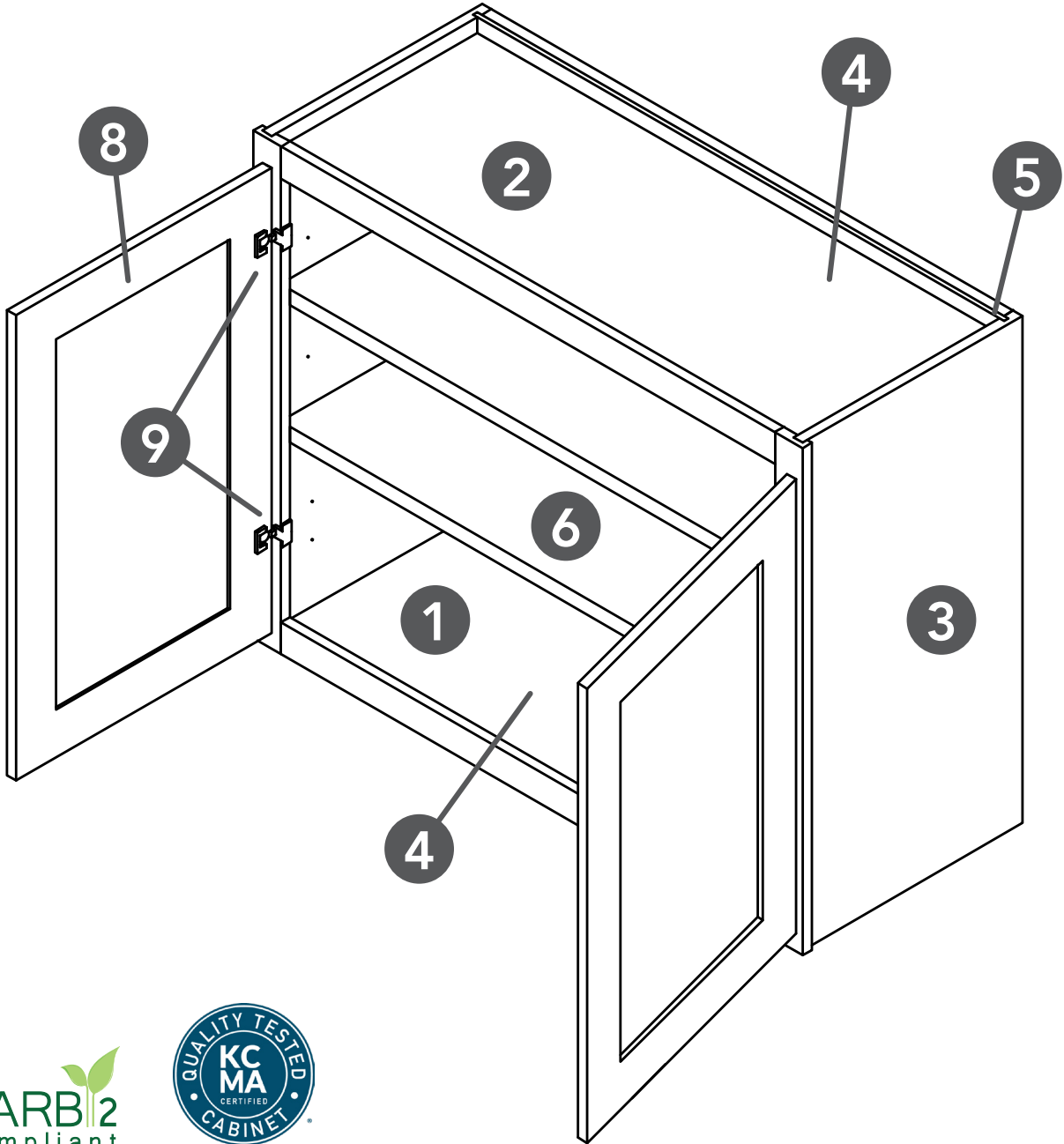
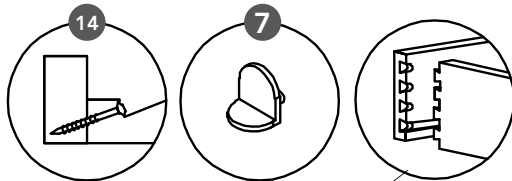
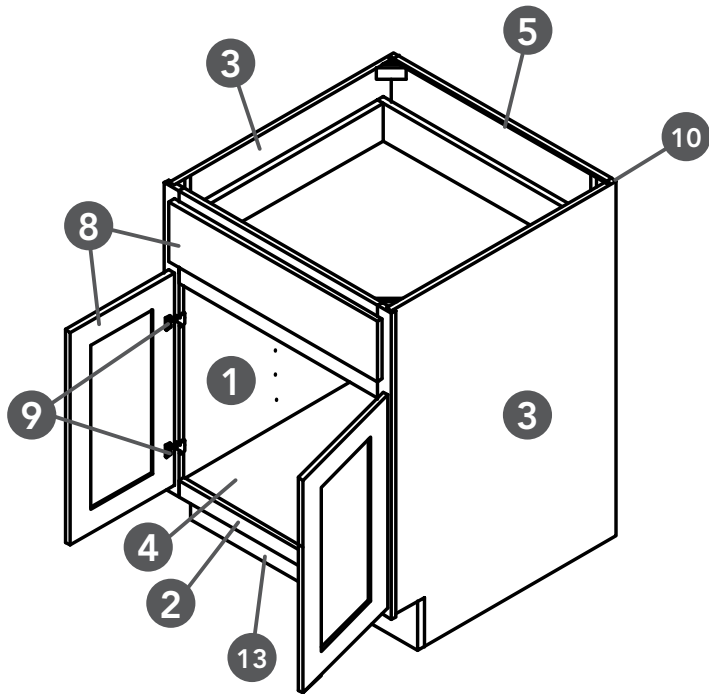


ALL-WOOD CONSTRUCTION



WHY BUY



	OTHER BRANDS	CRAFT33
1 INTERIOR	Laminated faux wood interior	Natural Birch interior
2 FACE FRAME	—	3/4" solid wood face frame
3 END PANELS	Particle board of varying thickness starting at 3/8", may not have finished ends	1/2" veneered plywood end panels with exterior finished to match
4 FLOOR & CEILING PANELS	Particle board finished to match interior, not exterior	1/2" veneered plywood captured ceiling and floor panel
5 BACK PANEL	—	1/2" Framed back panel with 1/4" Plywood backing
6 SHELVES	Particle board with laminate finish, may not be adjustable	3/4" veneered plywood 10-1/2" deep, adjustable shelving
7 SHELF SUPPORTS	Plastic shelf clips that are easily broken and difficult to use	Sturdy metal shelf clips
8 DOORS & DRAWER FRONTS	May be laminate or thermofoil with center stile constricting access	Standard overlay doors and drawers; All door frames are solid wood; Center door panels & drawer heads are wood veneer; All double door cabinets have butt doors*
9 HINGES	May not have adjustable hinges	Standard 6-way adjustable concealed hinges with optional upgrade to soft close
10 CORNER BRACES	Plastic or particle board corner braces	3/4" solid wood corner braces
11 DRAWER GLIDES	Side mount nylon roller, 3/4" extension drawer slides	Undermount epoxy coated drawer glides with optional upgrade to full extension soft close
12 DRAWER BOX	1/2" laminate finish particle board drawer box, pinned and glued corners	5/8" solid wood dovetailed drawer with 3/8" veneered plywood drawer bottom
13 TOE KICK	—	4-1/2" high and 3/4" thick veneered plywood unfinished toe kick
14 CONSTRUCTION TYPE	Particle board substrates use hot glue, pins or staples	All wood construction utilizes the superior holding strength of pocket screw construction

* Temporary variance may occur in back panel construction.
 ** Cabinets 39" W and wider have center stile.