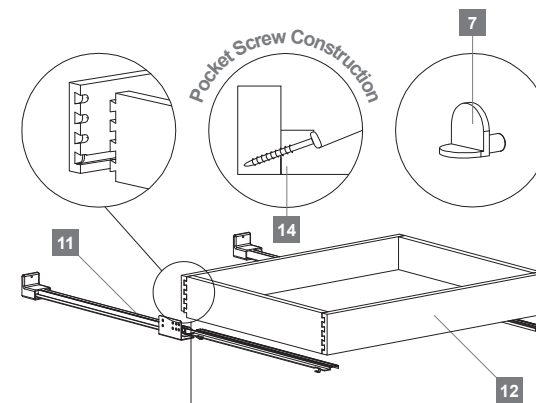
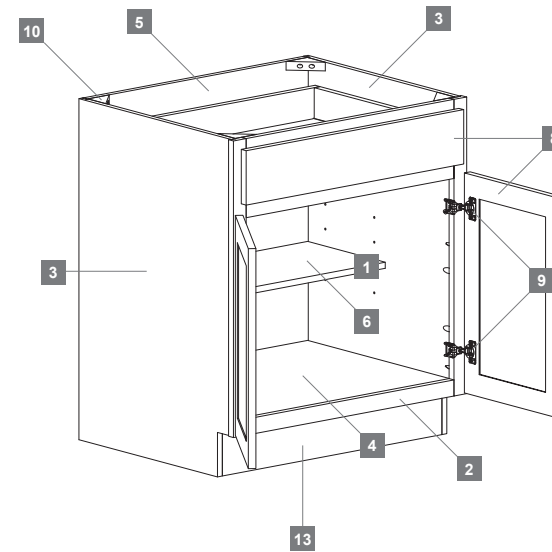
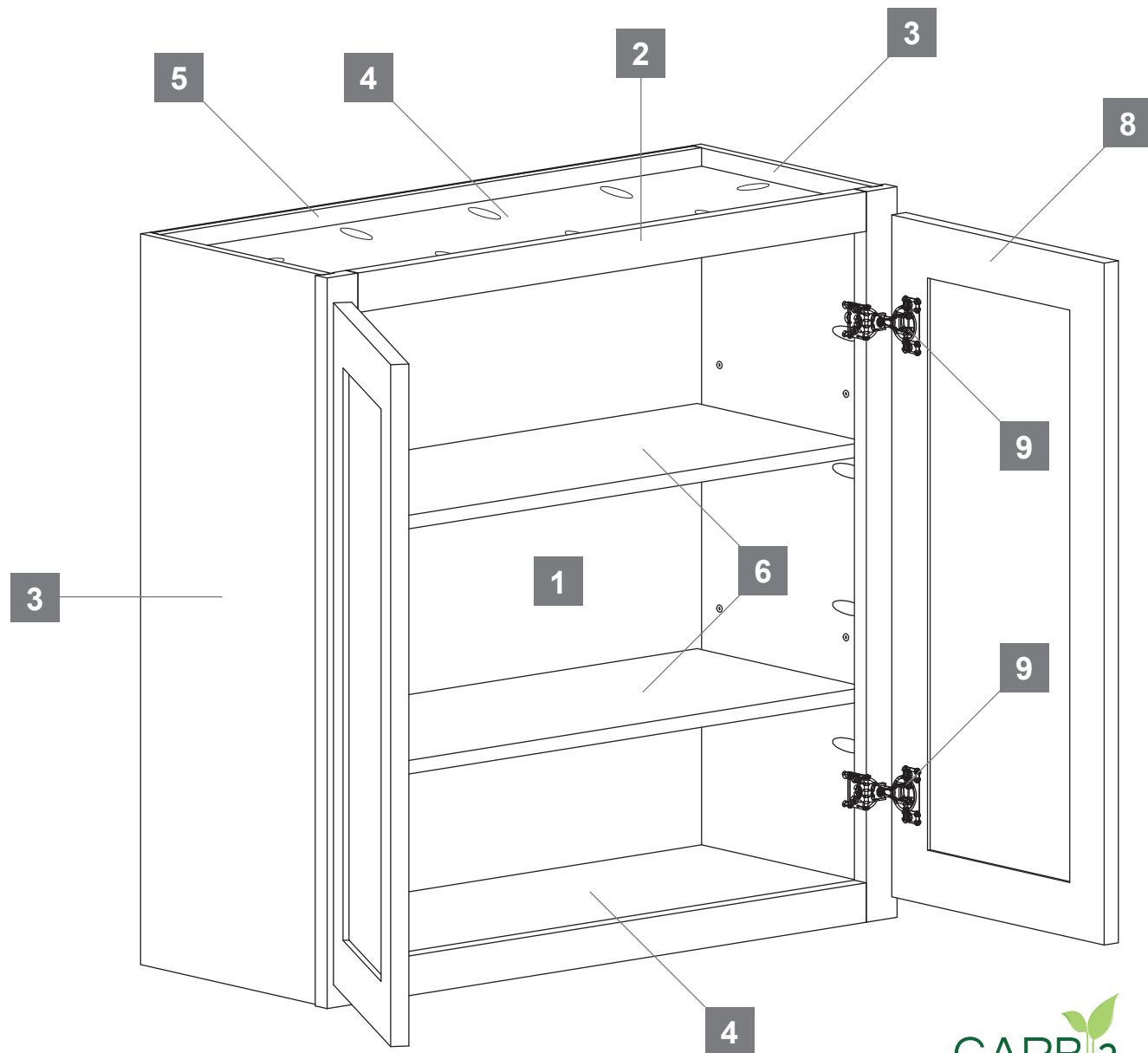


# ALL-WOOD CONSTRUCTION

# WHY BUY



	OTHER BRANDS	CRAFT33
1 INTERIOR	Laminated faux wood interior	Natural Birch interior
2 FACE FRAME	—	3/4" Solid wood face frame
3 END PANELS	Particle board of varying thickness starting at 3/8", may not have finished ends	1/2" Veneered plywood end panels with exterior finished to match
4 FLOOR & CEILING PANELS	Particle board finished to match interior, not exterior	1/2" Veneered plywood captured ceiling and floor panel
5 BACK PANEL	—	1/2" Framed back panel with 1/4" plywood backing
6 SHELVES	Particle board with laminate finish, may not be adjustable	3/4" Veneered plywood 10-1/2" deep, adjustable shelving
7 SHELF SUPPORTS	Plastic shelf clips that are easily broken and difficult to use	Sturdy metal shelf clips
8 DOORS & DRAWER FRONTS	May be laminate or thermofoil with center style constricting access	Standard overlay doors and drawers; All door frames are solid wood; Center door panels & drawer heads are wood veneer; All double door cabinets have butt doors**
9 HINGES	May not have adjustable hinges	Standard 6-way adjustable concealed hinges with optional upgrade to soft close
10 CORNER BRACES	Plastic or particle board corner braces	3/4" Solid wood corner braces
11 DRAWER GLIDES	Side mount nylon roller, 3/4" extension drawer slides	Undermount epoxy coated drawer glides with optional upgrade to full extension soft close
12 DRAWER BOX	1/2" Laminate finish particle board drawer box, pinned and glued corners	5/8" Veneered plywood dovetailed drawer with 3/8" veneered plywood drawer bottom
13 TOE KICK	—	4-1/2" High and 3/4" thick veneered plywood unfinished toe kick
14 CONSTRUCTION TYPE	Particle board substrates use hot glue, pins or staples	All wood construction utilizes the superior holding strength of pocket screw construction

\* Temporary variance may occur in back panel construction.  
 \*\* Cabinets 39" W and wider have center stile.